

SPO 380/400/420/440-8

Sirio Professional Omni 8 dBi UHF Base Station Antenna 380-470 MHz

DESCRIPTION

New series of wide band omnidirectional base station antennas for UHF band suitable for marine service too. The fiberglass protection radome and the anodized aluminium parts guarantee robustness and long life to all the SPO-antennas series. They are supplied with two strong extruded aluminium brackets and stainless steel hardware for a good installation on the mast.

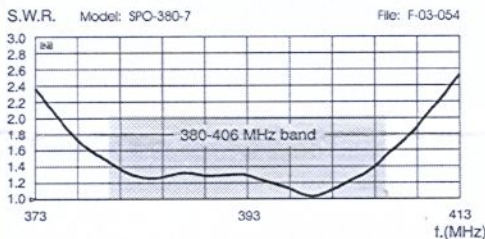
Electrical Data	SPO 380-8	SPO 400-8	SPO 420-8	SPO 440-8
Type	Colinear			
Frequency Range	380-406 MHz @ SWR ≤ 1.5	400-430 MHz @ SWR ≤ 1.5	420-450 MHz @ SWR ≤ 1.5	440-470 MHz @ SWR ≤ 1.5
Impedance	50 Ω			
Radiation (H-plane)	360° Omnidirectional			
Radiation (E-plane)	Beamwidth @ -3dB = 14°			
Radiation angle deg.	0°			
Polarization	Linear Vertical			
Gain	6 dBd - 8.15 dBi			
Max Power	75 Watts (CW) @ 30°C ambient			
Grounding Protection	All metal parts are DC-grounded, inner conductor shows a DC short			
Connector	N-female, with rubber protection cap			

Mechanical Data

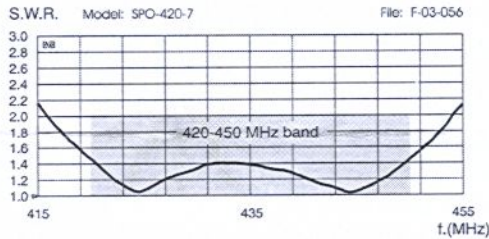
Materials	White fiberglass radome Ø 28.6 mm, anodized 6063-T5 aluminium, brass, stainless steel, copper, EPDM rubber.			
Wind Load at 150 km/h	104 N	104 N	98 N	93 N
Wind Resistance	150 Km/h			
Wind Surface	0.089 m ²	0.089 m ²	0.083 m ²	0.078 m ²
Operatin temperature	-40°C to + 80°C			
Height (approx.)	2940 mm	2940 mm	2740 mm	2590 mm
Weight (approx.)	2040 gr	2020 gr	1935 gr	1850 gr
Mounting Mast	Side mast with "V" bolt, Ø 35-54 mm			



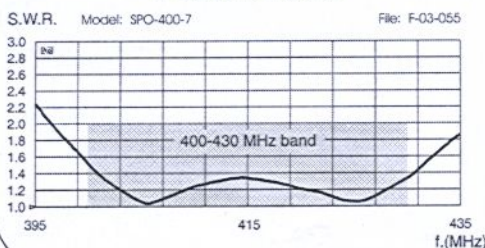
TYPICAL S.W.R. RESPONSE



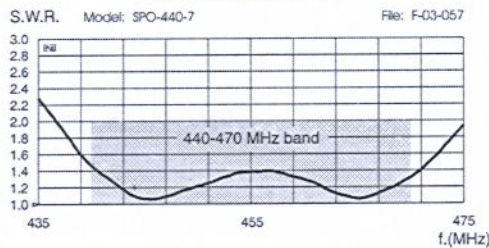
TYPICAL S.W.R. RESPONSE



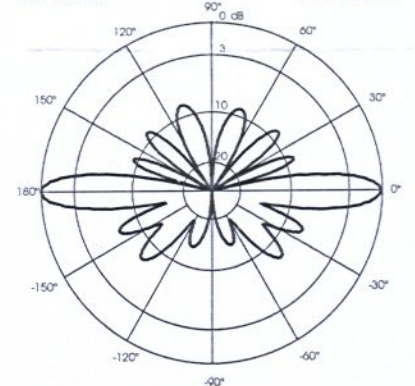
TYPICAL S.W.R. RESPONSE



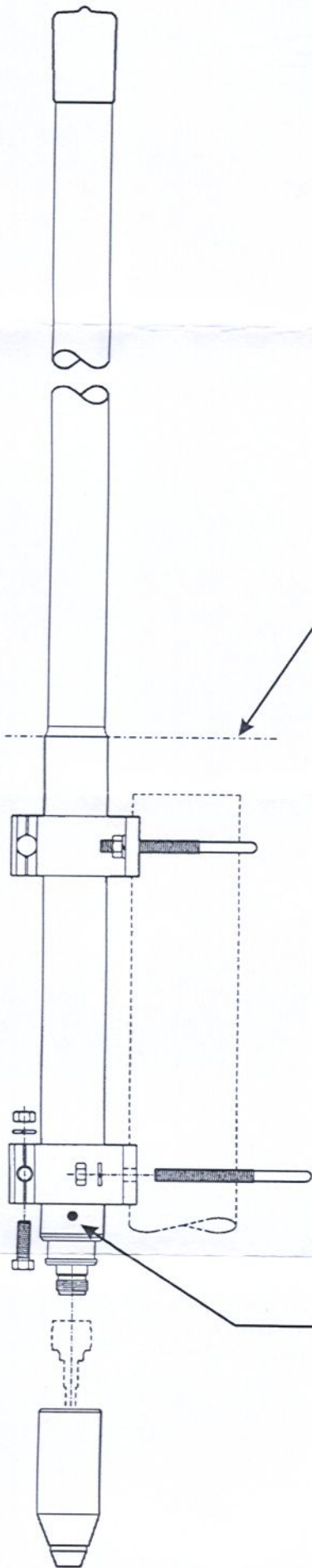
TYPICAL S.W.R. RESPONSE



TYPICAL RADIATION PATTERN in E-plane at mid-band
File: E-03-057 Scale: logarithmic



MOUNTING INSTRUCTIONS



ATTENTION!
The mounting mast does not have to be higher of the aluminium tube

ATTENTION!
Leave the drainage hole uncovered

Fixing bracket:



Fixing bracket part list

Q.ty	Description
2	Extruded aluminium bracket
2	M6x188 V-bolt
2	M6x20 Exagonal head screw
6	M6 Spring lock washer
6	M6 Hexagonal nut
Materials:	extruded aluminum
Hardware:	stainless steel
Dimensions :	80 x 76 x 25 mm
Weight:	220 g
Re-order code: SA104	

Connector protection cap
Re-order code: TE06416

