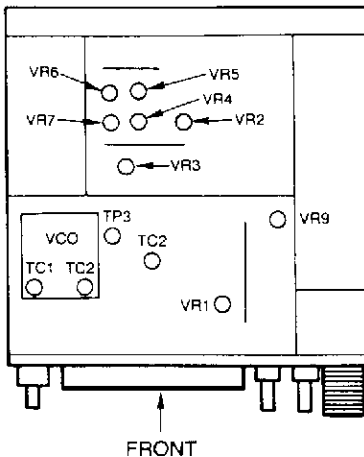


■ ADJUSTMENT (VHF)

Item	Adjustment point	Adjustment method
VCO P/D Voltage (RX)	TC2 (VCO Box)	Adjust TC2 so that the voltage of TP3 is 4V on the receiving mode.
VCO P/D Voltage (TX)	TC1 (VCO Box)	Adjust TC1 so that the voltage of TP3 is 3V on the transmission mode.
Frequency	TC2 (Main Board)	Set the unit in the transmission mode at 145.00 MHz and adjust TC2.
Power output	VR6 (Hi)	On "HI" position, turn VR6 for 45 W output at 145.00 MHz.
	VR7 (Lo)	On "LO" position, turn VR7 for 5 W output at 145.00 MHz.
RF Power Meter	VR4	Turn VR4 so that three segments will light on "LO" position.
Deviation	VR3	Input a signal of 1 KHz/25 mV into the MIC jack and adjust VR3 so that you obtain 4.9 KHz/Dev in the transmission mode.
MIC Gain	VR2	Input a signal of 1 KHz/10 mV into the MIC jack and adjust VR2 so that you obtain 4.0 KHz/Dev in the transmission mode.
Protection Circuit	VR5	Disconnect the antenna in the transmission mode and adjust VR5 so that the current consumption will be 5A.
Subaudible Tone Deviation (DR-510T)	VR1 (Tone squelch board)	On the "ENC" mode at 146.00 MHz, turn VR1 so that the deviation is 0.7 KHz.
1750 Hz Tone Deviation (DR-510E)	VR1 (Tone burst board)	Pressing Tone button at 145.00 MHz, turn VR1 so that the deviation is 3.5 KHz.
S-Meter (SG output: 3 dB μ EMF)	VR1	Turn VR1 so that the <input type="checkbox"/> begins to light.
Squelch Sensitivity (SG output: -6 dB μ EMF)	VR9	Turn the squelch control fully clockwise and turn VR9 so that the squelch will be closed at the SG output of -6 dB μ .

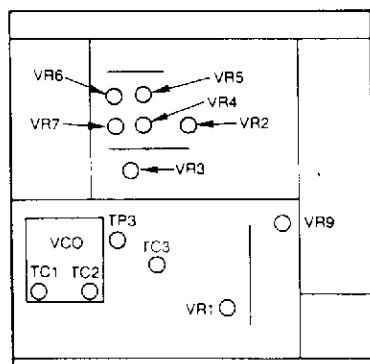
Upper Side View



■ ADJUSTMENT (UHF)

Item	Adjustment point	Adjustment method
VCO P/D Voltage (RX)	TC2 (VCO Box)	Adjust TC2 so that the voltage of TP3 is 2 V on the receiving mode.
VCO P/D Voltage (TX)	TC1 (VCO Box)	Adjust TC1 so that the voltage of TP3 is 1 V on the transmission mode.
Frequency	TC3 (Main Board)	Set the unit in the transmission mode at 435.00 MHz (T: 445.00 MHz) and adjust TC3.
Power output	VR6 (Hi)	On "HI" position, turn VR6 for 35 W output at 435 (T: 445) MHz.
	VR7 (Lo)	On "LO" position, turn VR7 for 5 W output at 145.00 MHz.
RF Power Meter	VR4	Turn VR4 so that three segments will light on "LO" position.
Deviation	VR3	Input a signal of 1 KHz/25 mV into the MIC jack and adjust VR3 so that you obtain 4.9 KHz/Dev in the transmission mode.
MIC Gain	VR2	Input a signal of 1 KHz/10 mV into the MIC jack and adjust VR2 so that you obtain 4.0 KHz/Dev in the transmission mode.
Protection Circuit	VR5	Disconnect the antenna in the transmission mode and adjust VR5 so that the current consumption will be 4A.
Subaudible Tone Deviation (DR-510T)	VR1 (Tone squelch board)	On the "ENC" mode at 435.00 MHz, (T: 445.00 MHz), turn VR1 so that the deviation is 0.7 KHz.
1750 Hz Tone Deviation (DR-510E)	VR1 (Tone burst board)	Pressing Tone button at 435.00 MHz (T: 445.00 MHz), turn VR1 so that the deviation is 3.5 KHz.
S-Meter (SG output: 3 dB μ EMF)	VR1	Turn VR1 so that the <input type="checkbox"/> begins to light.
Squelch Sensitivity (SG output: -6 dB μ EMF)	VR9	Turn the squelch control fully clockwise and turn VR9 so that the squelch will be closed at the SG output of -6 dB μ .

Lower Side View



FRONT